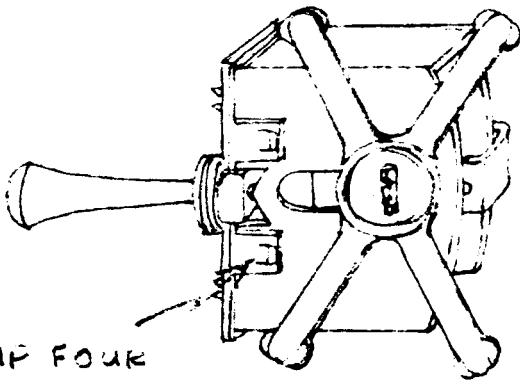
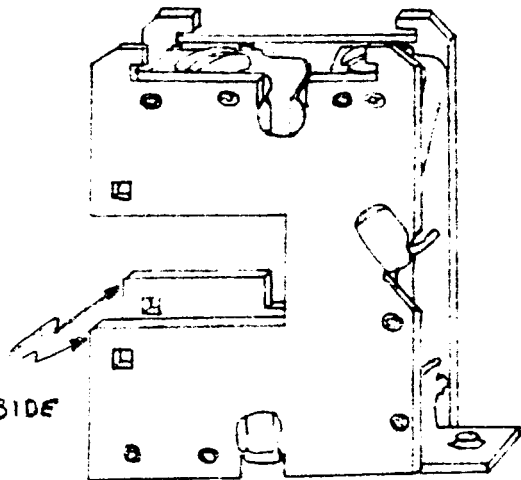


SUGGESTED MODIFICATION OF SWITCH
TO FACILITATE EASIER ASSEMBLY



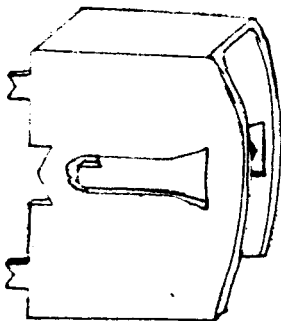
CRIMP FOUR
ENDS TO ASSEMBLE
TO CONTACT ASSEMBLY

MECHANISM ASSEMBLY

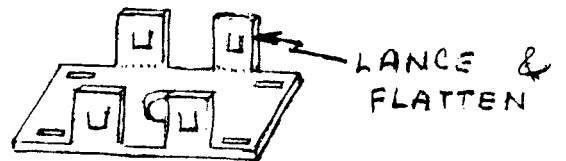


SLOT
FIBER SIDE
PLATE

CONTACT ASSEMBLY



MECHANISM PLATE



CONNECTION NOZZLE
PLATE

MADE BY *C.R. Stahl*

INSPECTED BY *23 Dec 1948*

DIVISION
GENERAL ELECTRIC